

**ERGOVENT**

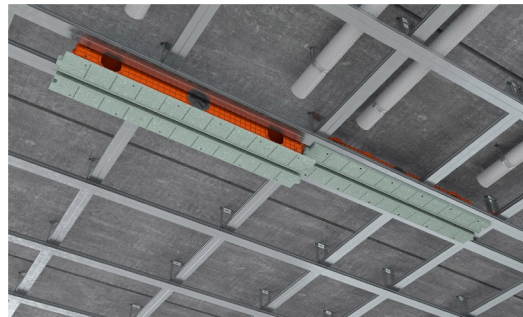
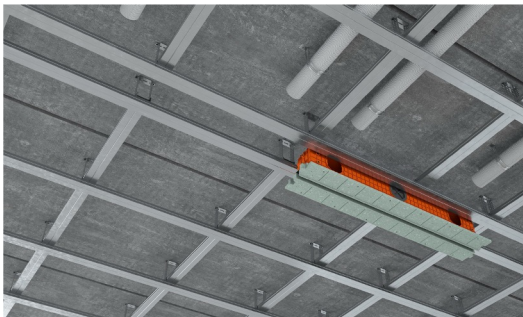
# LINEO PRO

**Product presentation**

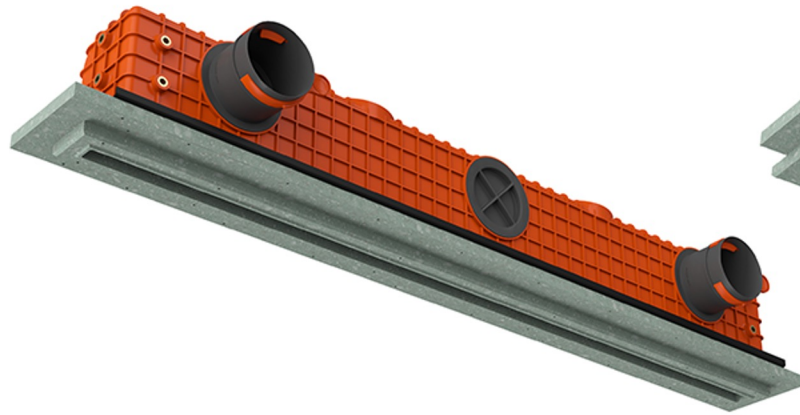
## General information

ERGOVENT LINEO PRO - hidden linear ventilation diffusers purposely designed to be completely concealed in the plasterboard ceilings and walls. After installation, filler is sealed and diffuser is painted in the same color of the ceilings/walls. Only a minimalistic slot remains visible, becoming a stylish detail of the interior.

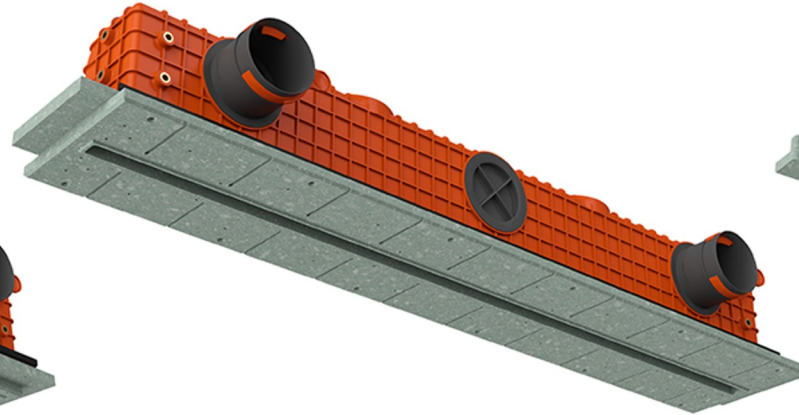
You can choose standard 1m. length diffusers or easily and quickly connect continuous lines of such diffusers of any length. The diffuser lock system of the PROFILE PUZZLE model allows you to do this very precisely and quickly. Such installation can easily be done by one person, because the diffuser segments connect like a joint and are attached directly to the gypsum ceiling profiles.



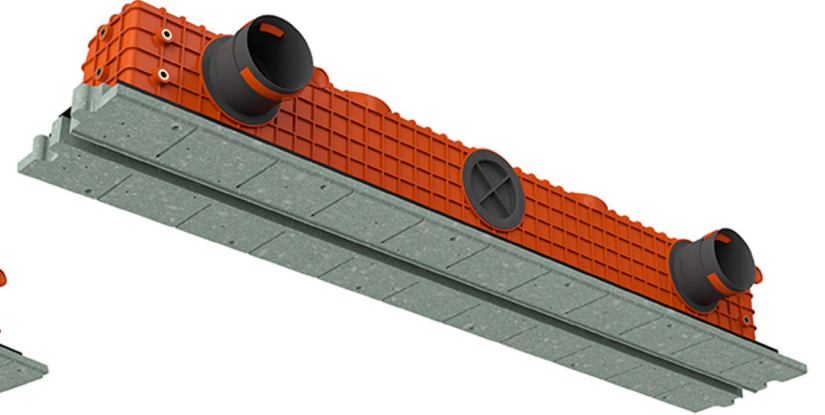
## LINEO PRO LINE



**LINEO PRO-1000/75 SINGLE**  
1LPRO-D75-SGD



**LINEO PRO-1000/75 SINGLE-PROFILE**  
1LPRO-D75-PRD

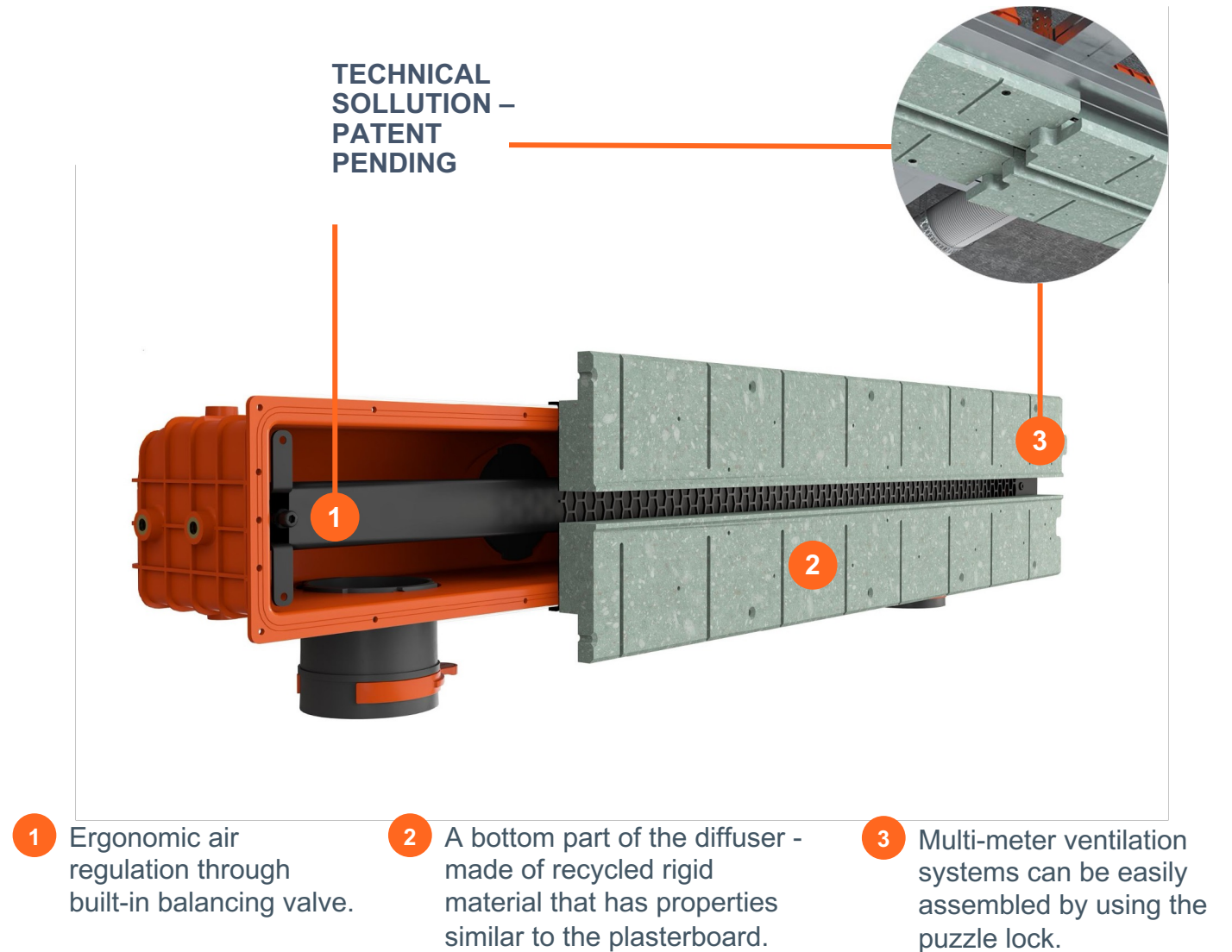


**LINEO PRO-1050/75 PROFILE-PUZZLE**  
1LPRO-D75-PZD

## Technical information

LINEO PRO ventilation diffusers are adapted to the flexible plastic duct systems (75 mm and 90 mm).

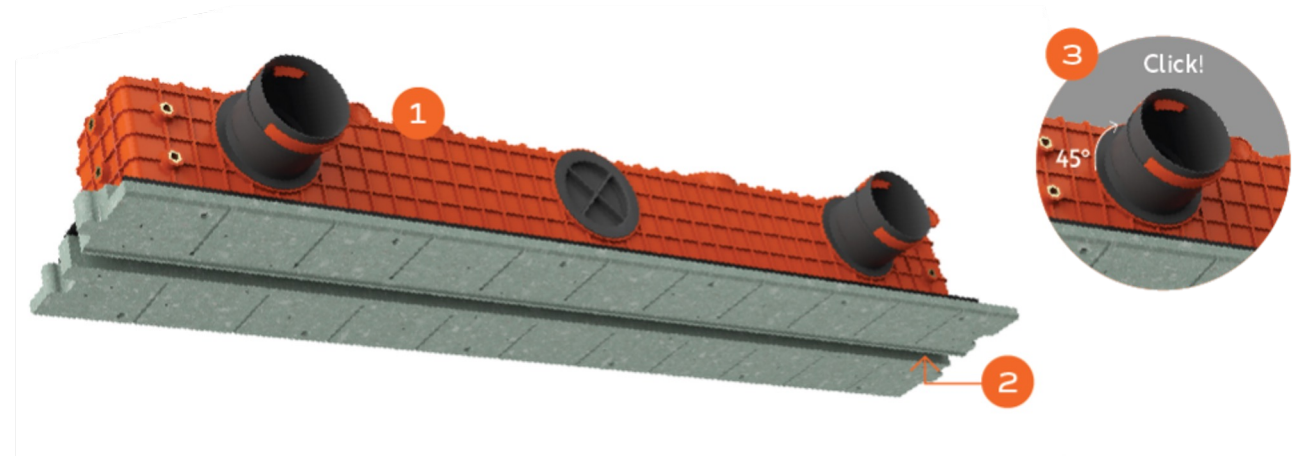
Duct connections are conveniently designed, so the same diffuser is suitable for **vertical and horizontal** installation. The comfortable duct locking system ensures quick and easy connection of flexible ducts.



## Technical information

The lower part of the diffusers, which is in contact with the plasterboard, is made of recycled rigid material with gypsum-like expansion and absorption properties. In addition, plasterboards, ceiling profiles and a diffuser become one unit that moves together after fixing. This eliminates the risk of filler cracking around the diffuser after installation and long-term use.

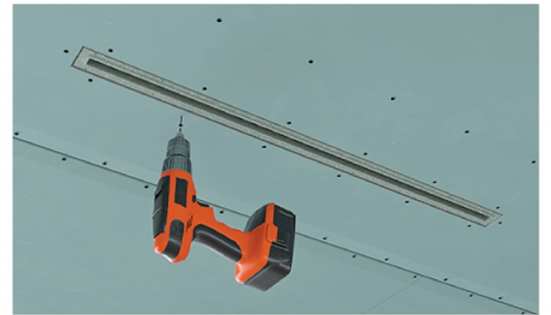
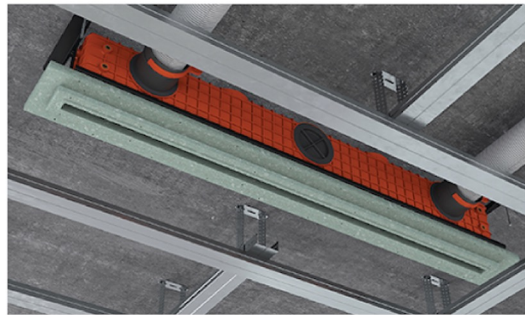
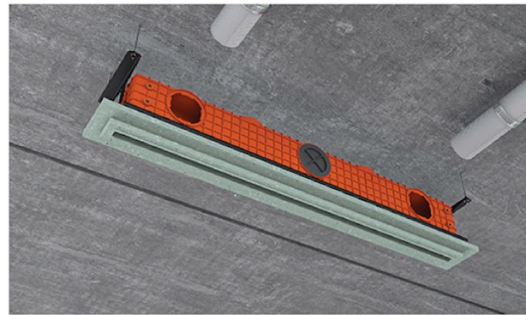
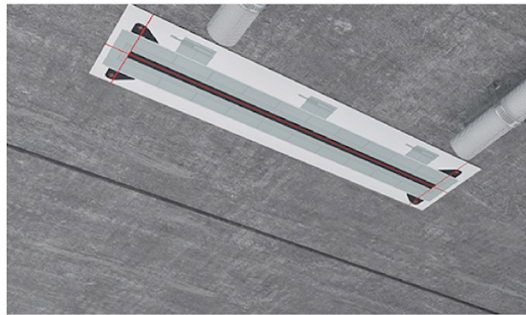
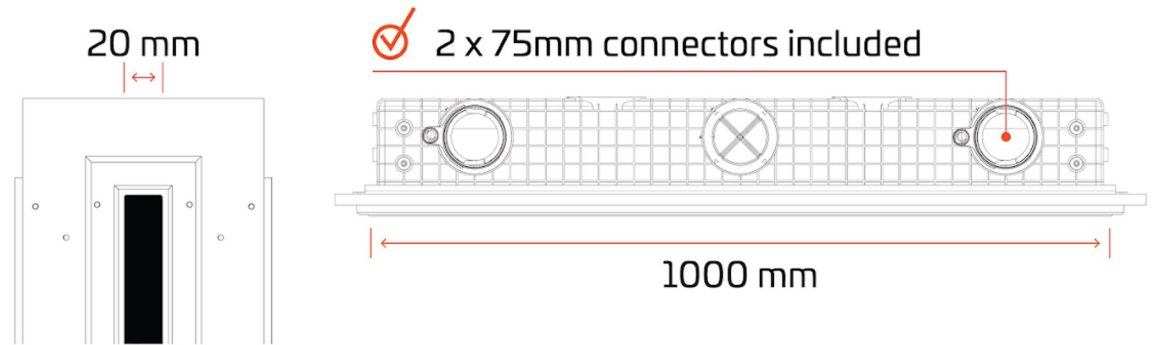
- 1 The multifunctional duct connection box - made of antistatic, antibacterial plastic.
- 2 Air flow can be easily adjusted after the final finishing.
- 3 Duct connections are quickly and conveniently fixed in the required places.



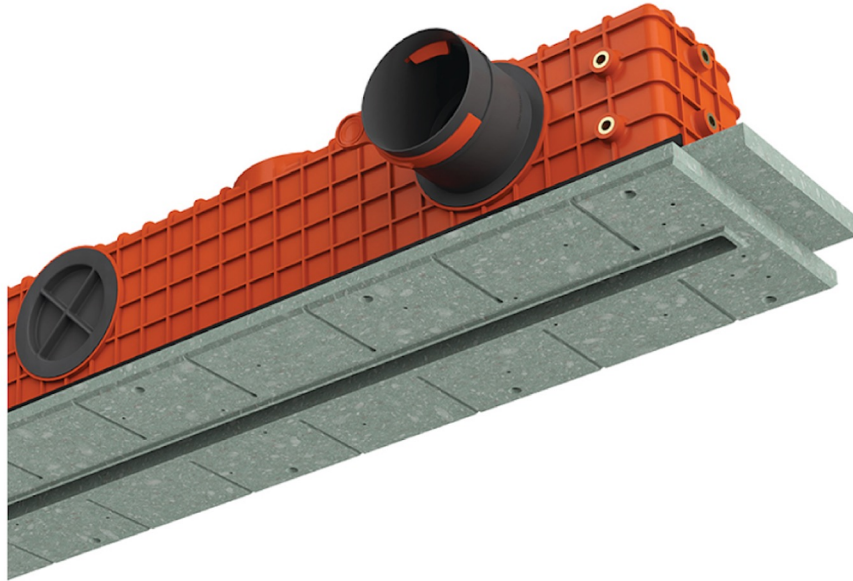
## ERGOVENT LINEO PRO SINGLE



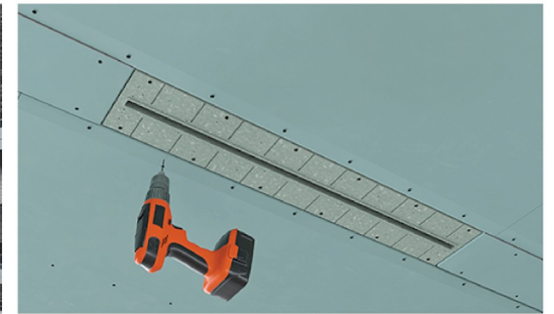
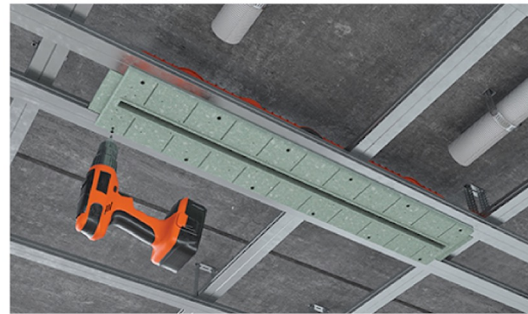
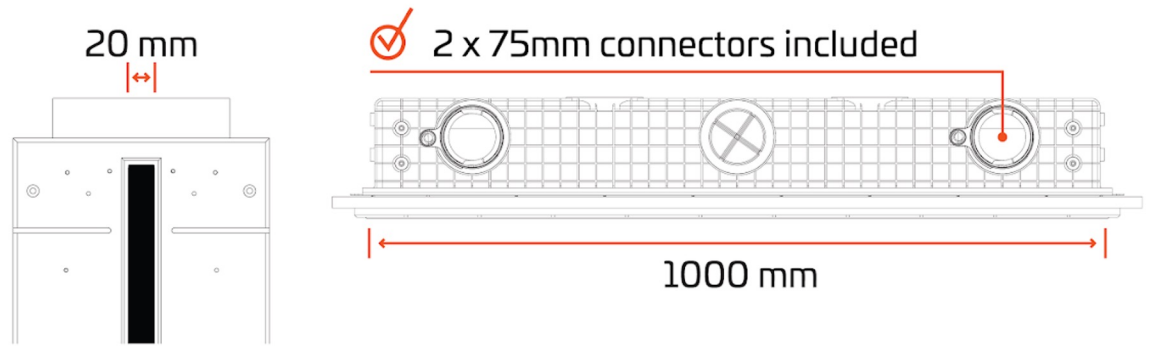
**SINGLE** model diffuser is fastened to concrete ceiling before the installation of gypsum frame. Fixed 1 m. length, without connection possibility.



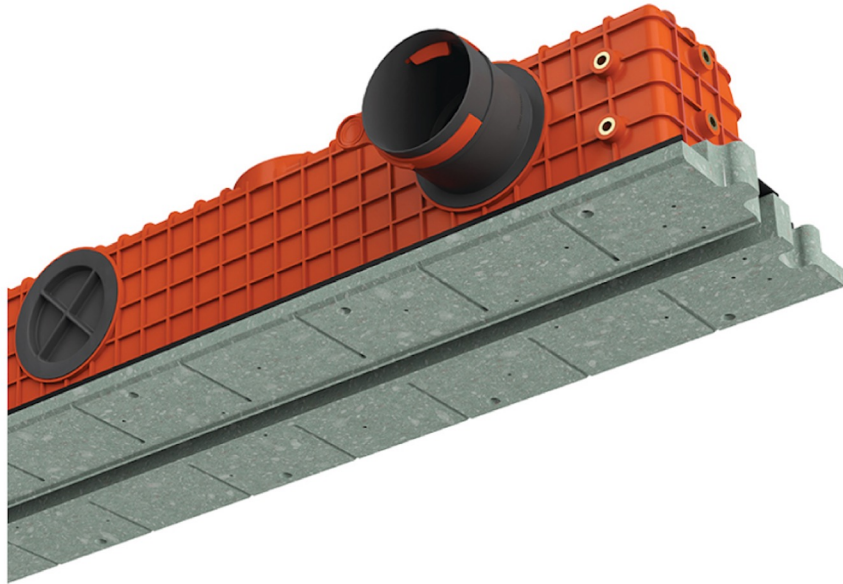
## ERGOVENT LINEO PRO SINGLE PROFILE



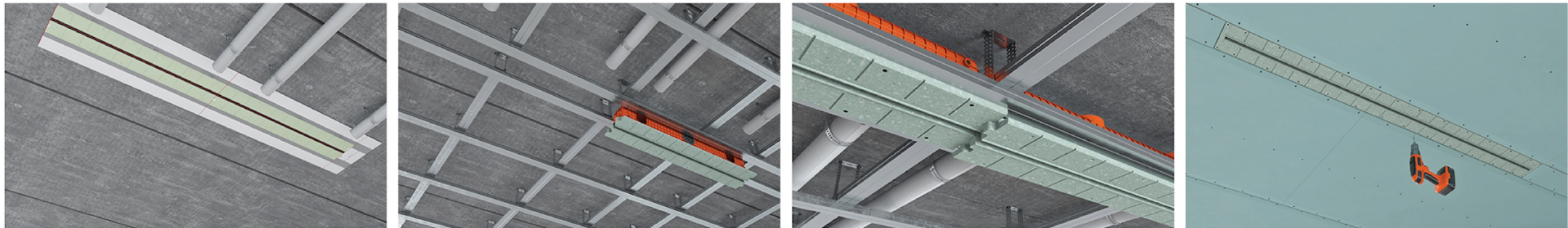
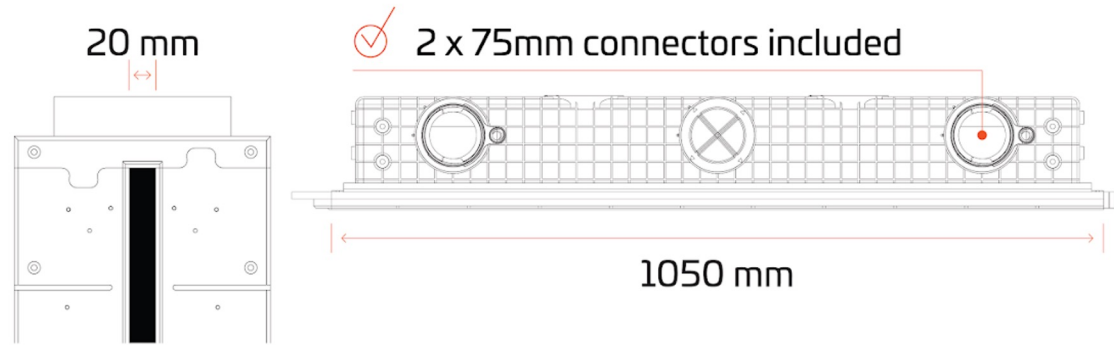
**SINGLE PROFILE** model diffuser is attached directly to the gypsum profiles. This model has convenient and fast way of fastening\*. Fixed 1 m. length, without connection possibility.



## ERGOVENT LINEO PRO PROFILE PUZZLE

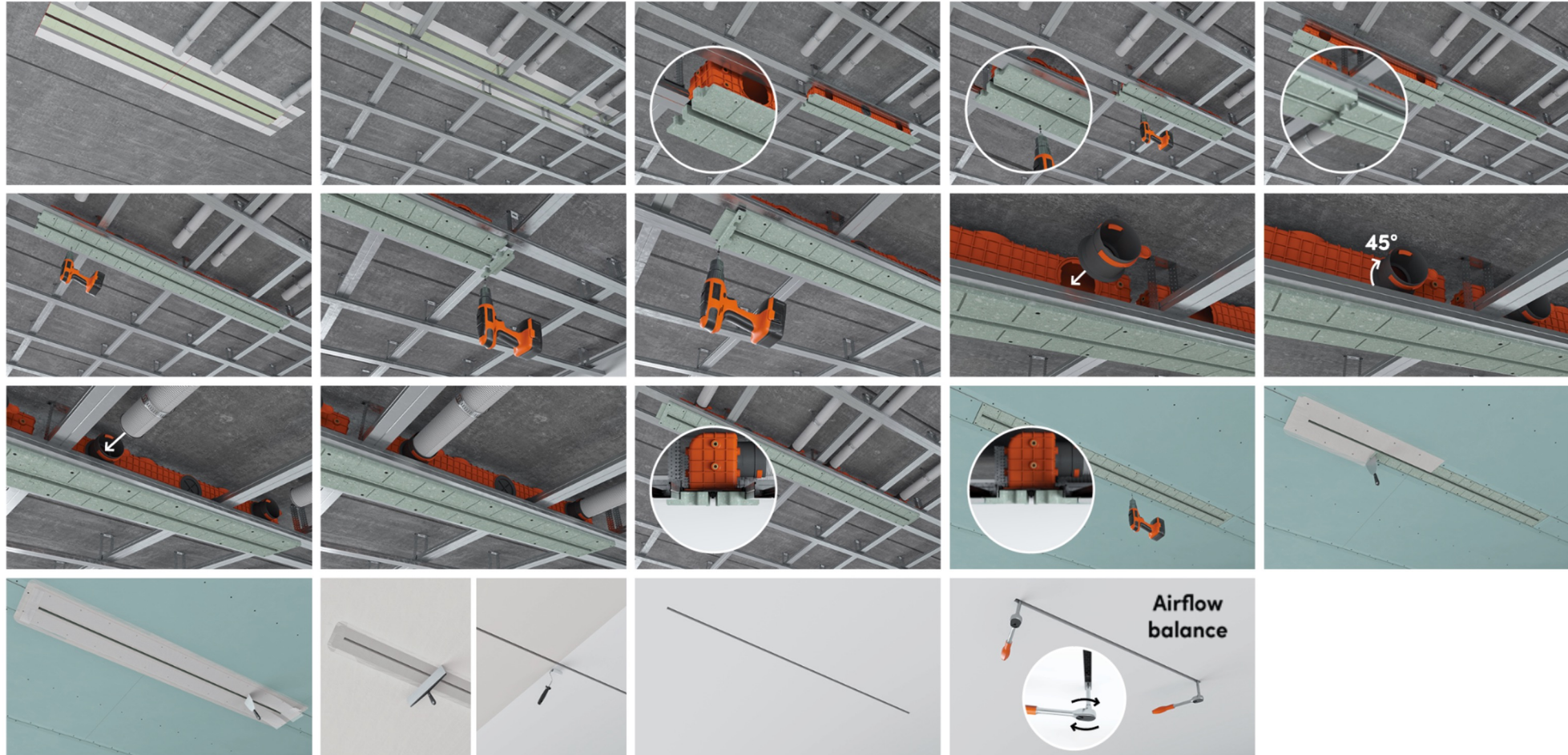


**PROFILE PUZZLE** model diffuser is attached to gypsum profiles and can be connected to longer stretches with the use of additional segments. **PUZZLE** lock technology\* allows to connect diffuser segments in a very precise and quick manner.





## Simple & easy installation



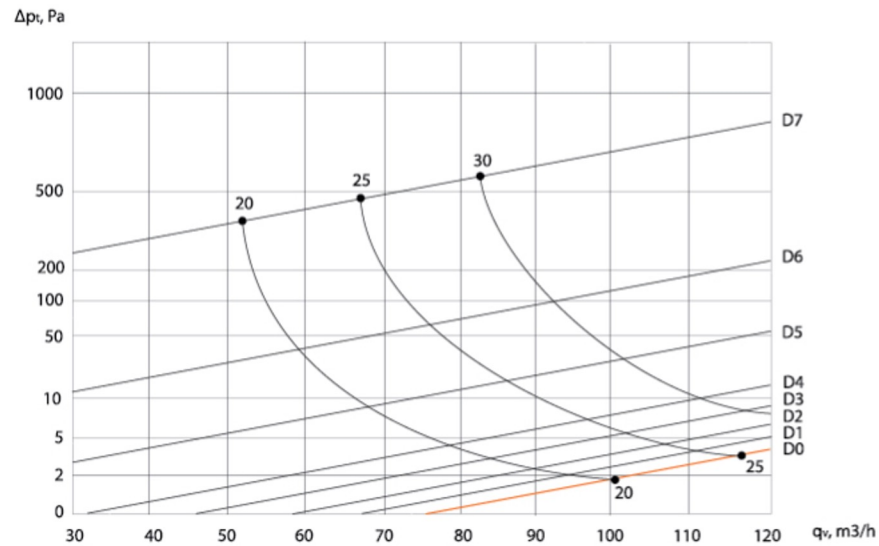
Installation can be comfortably and accurately performed by one person. Air flow can be easily adjusted after the final finishing.

## Technical Parameters

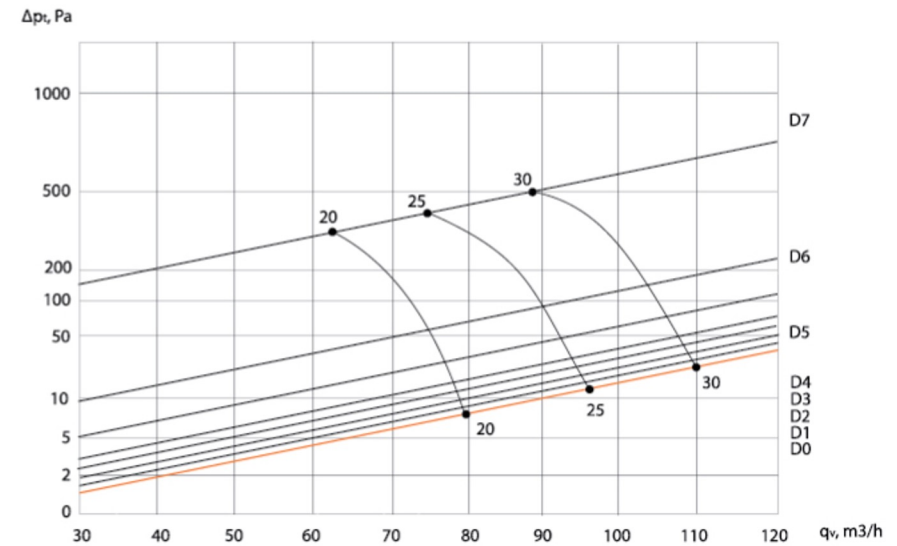
ERGOVENT LINEO PRO LINE is intended for mechanical ventilation systems. Diffusers have an air flow balancing valve. Aerodynamic air valve\* is inside the diffuser and can be conveniently controlled from the outside.

\*Technical solution – patent pending.

LINEO-1000/75 (supply air)



LINEO-1000/75 (extract air)



## Technical Parameters

A position of the balancing valve is determined by using a damper balancing stick.

- ✓ Insert the damper balancing stick through diffuser's grill until it rests against the balancing valve.
- ✓ The readings are determined by the ceiling line.
- ✓ The valve positions are indicated on the stick.

Balancing flap position rod is included with the diffuser.

D7 -	██████████	<b>7</b>
D6 -	██████████	<b>6</b>
D5 -	██████████	<b>5</b>
D4 -	██████████	<b>4</b>
D3 -	██████████	<b>3</b>
D2 -	██████████	<b>2</b>
D1 -	██████████	<b>1</b>
D0 -	██████████	<b>0</b>

D0 – the damper is fully open.  
D7 – the damper is fully closed.



## Simple & easy installation: manuals



**LINEO PRO-1000/75 SINGLE**  
1LPRO-D75-SGD



**LINEO PRO-1000/75 SINGLE-PROFILE**  
1LPRO-D75-PRD



**LINEO PRO-1050/75 PROFILE-PUZZLE**  
1LPRO-D75-PZD

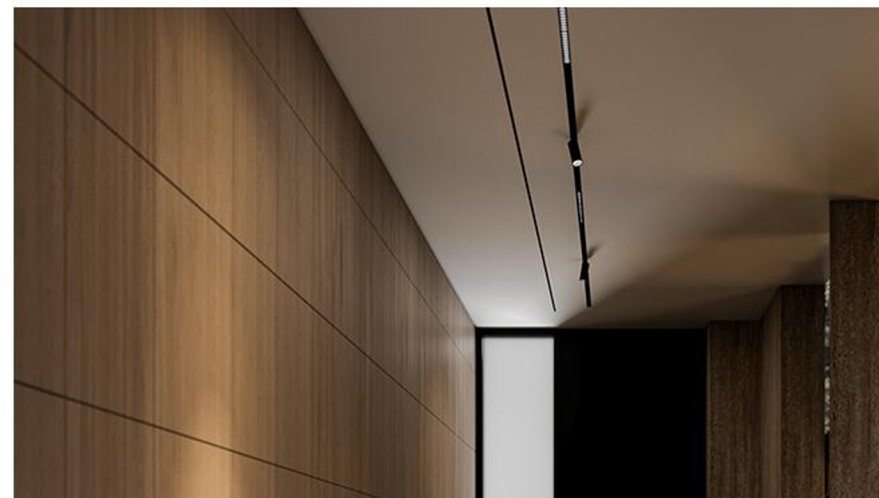
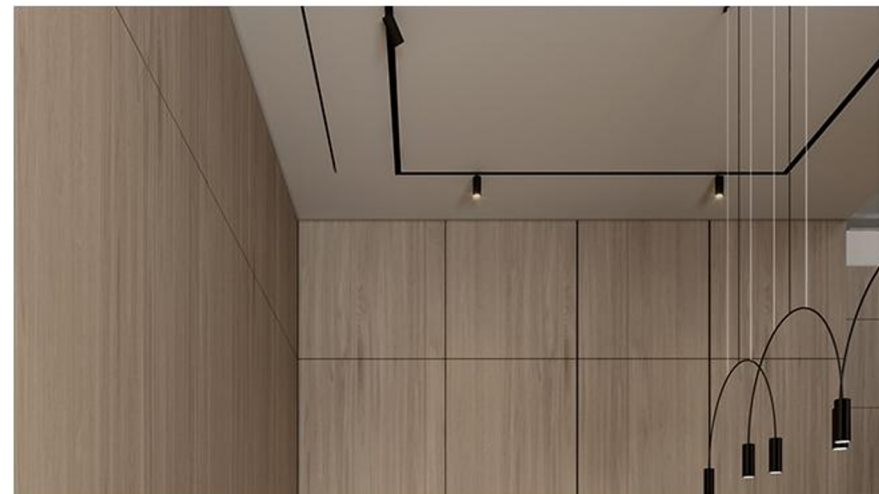
- Possibility to install into drywall ceilings or walls
- Vertical and horizontal installation is possible
- Convenient duct connection
- Duct holders are easily fixed at any point
- Clear instruction manuals

## ERGOVENT LINEO PRO in the interior



When installed the diffuser is hidden underneath the plastering surface and painted to match the surrounding area for a seamless and modern interior look.

## ERGOVENT LINEO PRO in the interior



ERGOVENT | Hidden ventilation diffusers LINEO PRO

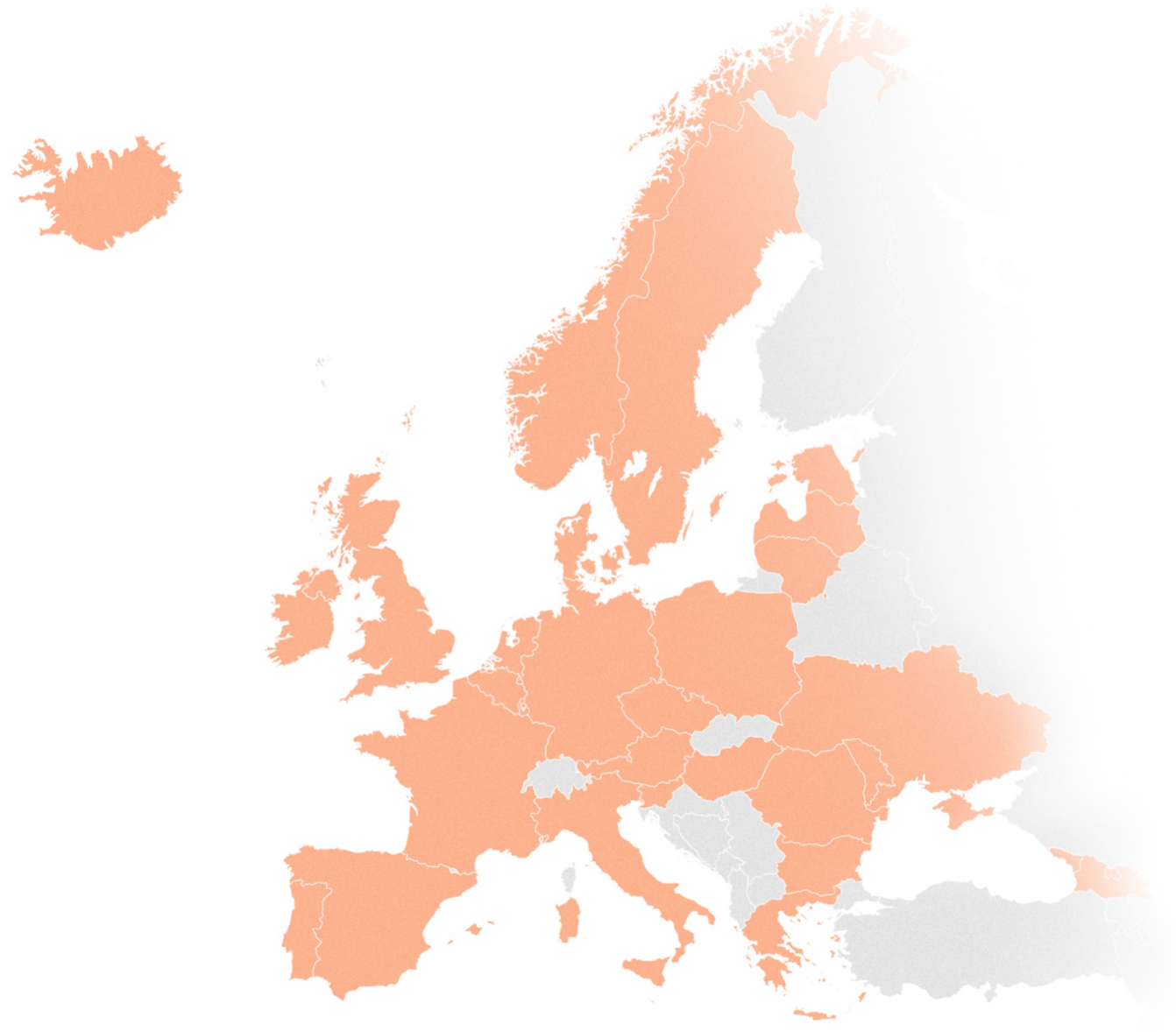
## About ERGOVENT

### Success story in > 30 markets

ERGOVENT a rapidly growing manufacturer of integrated ventilation solutions, based in Lithuania, Northern Europe and exporting to more than 30 countries worldwide.

We take great pride in some of the best ventilation diffusers in the industry, earning appreciation from interior designers, ventilation specialists, and end-customers.

Our premium quality products ensure functional aesthetic solutions for ventilation that organically blend into modern, stylish and trendy interiors. We aim to become a leading brand in creating new design trends in HVAC market.



Find out more about us



Ryternos g. 3A, Biruliškės, Kauno LEZ, LT-54469, Kauno r. Lithuania  
[sales@ergovent.com](mailto:sales@ergovent.com)

