

KD-N

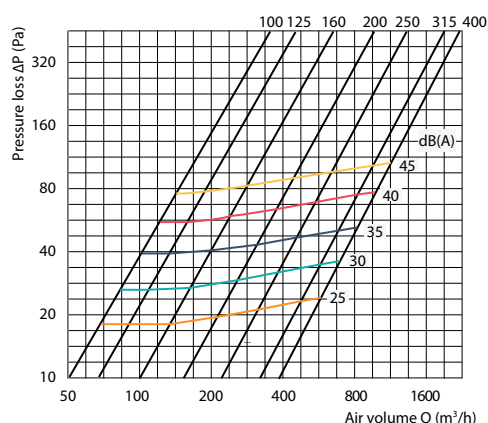
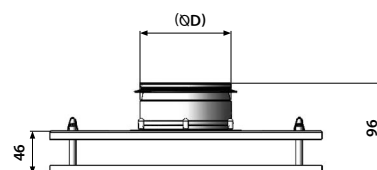
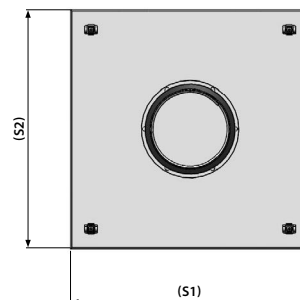
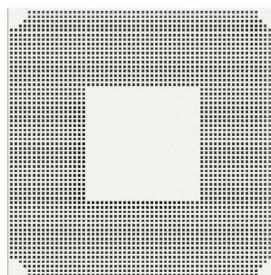
PERFORATED CEILING DIFFUSER

Diffusers are suitable for air supply and extract ventilation systems.

Standard color RAL9010.

Diffuser produced from galvanized steel.

Accessories: connection box DR.



Model	Connection diameter, mm	S1×S2, mm	Code	Weight, kg
KD-N-100-300×300	100	296×296	1229724	1,6
KD-N-125-300×300	125	296×296	1229725	1,6
KD-N-160-300×300	160	296×296	1229726	1,6
KD-N-200-400×400	200	396×396	1229728	2,5
KD-N-200-600×600	200	596×596	1021579	2,5
KD-N-250-600×600	250	596×596	1021580	4,8
KD-N-315-600×600	315	596×596	1021581	4,9
KD-N-400-600×600	400	596×596	1021582	5,0