

# ERGOVENT LINEO PRO

## LINEAR DIFFUSER

Hidden linear ventilation diffusers purposely designed to be completely concealed in the plasterboard ceilings and walls. After installation, filler is sealed and diffuser is painted in the same color of the ceilings/walls. Only a minimalistic slot remains visible, becoming a stylish detail of the interior. You can choose standard 1 m. length diffusers or easily and quickly connect continuous lines of such diffusers of any length.

LINEO PRO ventilation diffusers are adapted to the flexible plastic duct systems (75 mm and 90 mm). The diffuser can be installed vertically or horizontally. Diffuser is made of recycled rigid material with gypsum-like expansion and absorption properties. Connection box is made of antistatic and antibacterial plastic.

SINGLE model diffuser is fastened to concrete ceiling before the installation of gypsum frame. Fixed 1 m. length, without connection possibility.

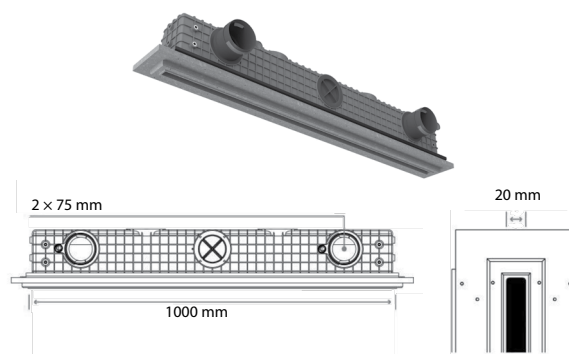
SINGLE PROFILE model diffuser is attached directly to the gypsum profiles. This model has convenient and fast way of fastening.

Fixed 1 m. length, without connection possibility.

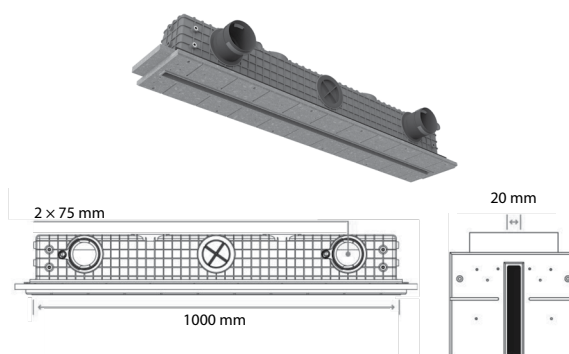
PROFILE PUZZLE model diffuser is attached to gypsum profiles and can be connected to longer stretches with the use of additional segments. PUZZLE lock technology allows to connect diffuser segments in a very precise and quick manner.

Diffuser is assembled with connection box and duct connection couplings.

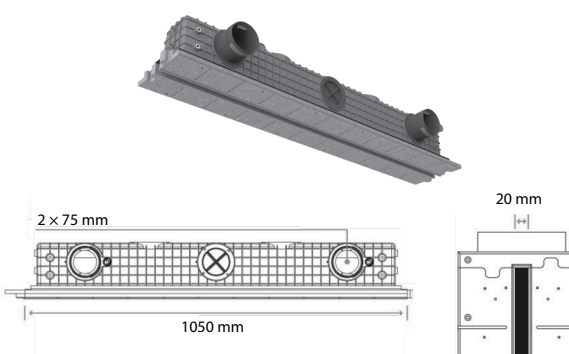
**SINGLE**



**SINGLE-PROFILE**



**PROFILE PUZZLE**



Model	Number of slots	Length, mm	Weight with/without packaging, kg	Code
LINEO PRO-75/SINGLE	1	1000	7,7/6,2	1216770
LINEO PRO-75/PROFILE	1	1000	9.0/7.0	1216771
LINEO PRO-75/PUZZLE	1	1000	9.0/7.0	1216772