

VERSO STANDARD RHP STANDARD

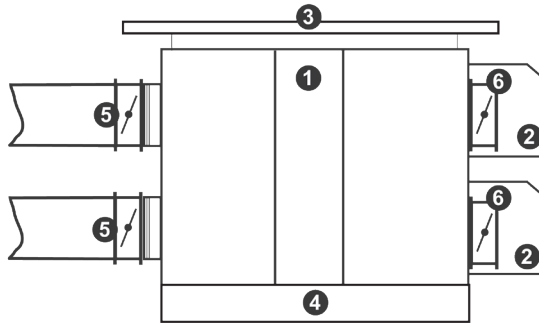
INSTALLATION INSTRUCTIONS
FOR OUTDOOR ACCESSORIES



CONTENT

MOUNTING OF THE ROOFS4
MOUNTING OF THE HOODS..... 10
EXAMPLES OF HOOD INSTALLATION..... 12

VERSO STANDARD air handling units are not suitable to install in outdoor areas without additional modification. Units intended be installed outdoor, should be fixed to the base frame or legs, and air dampers must be installed on to the duct connections. AHU must be protected from the weather influence by installing dedicated roof and hoods. If possible, it is recommended to install the unit near the walls for the extra protection from the wind.



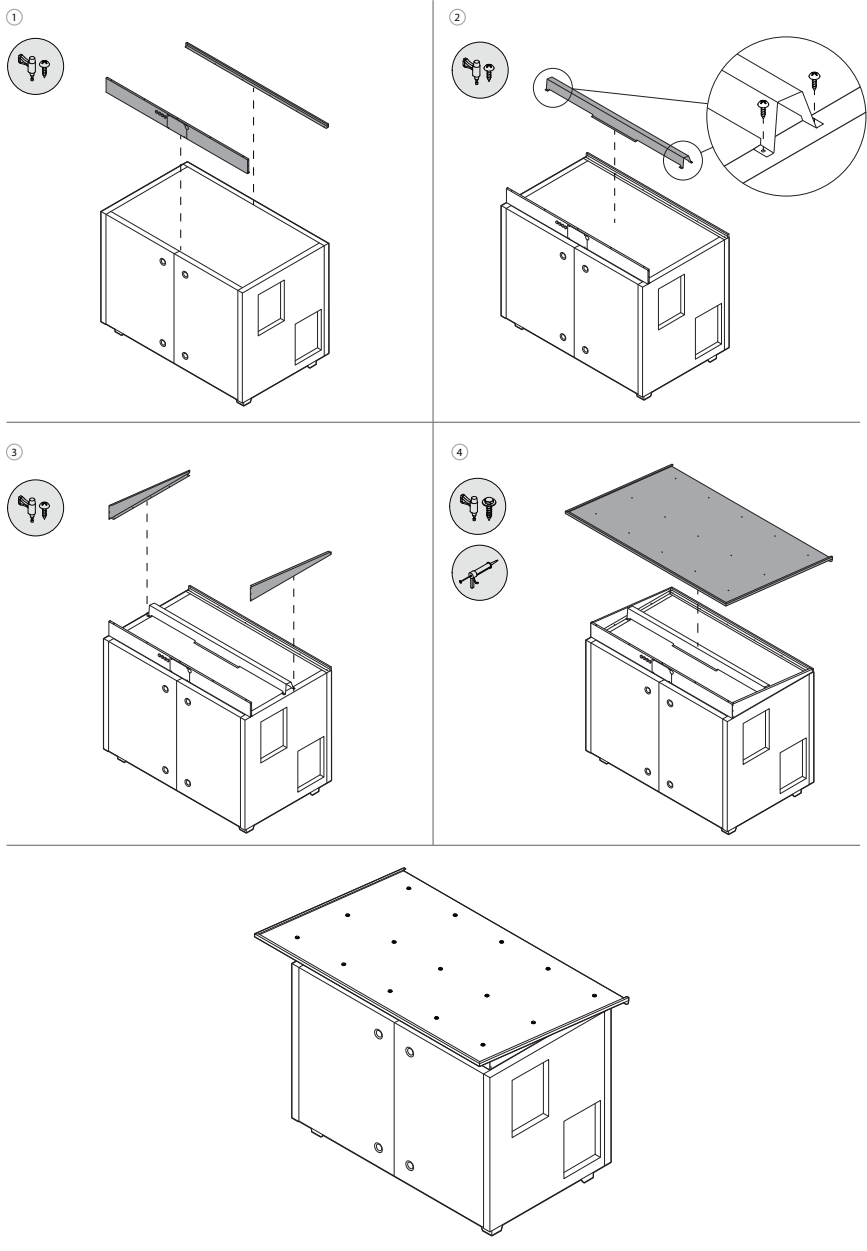
- 1 AHU
- 2 Hoods
- 3 Roof
- 4 Mounting frame or legs
- 5 Air dampers on the room side (recomended)
- 6 Outdoor air closing dampers (mandatory)



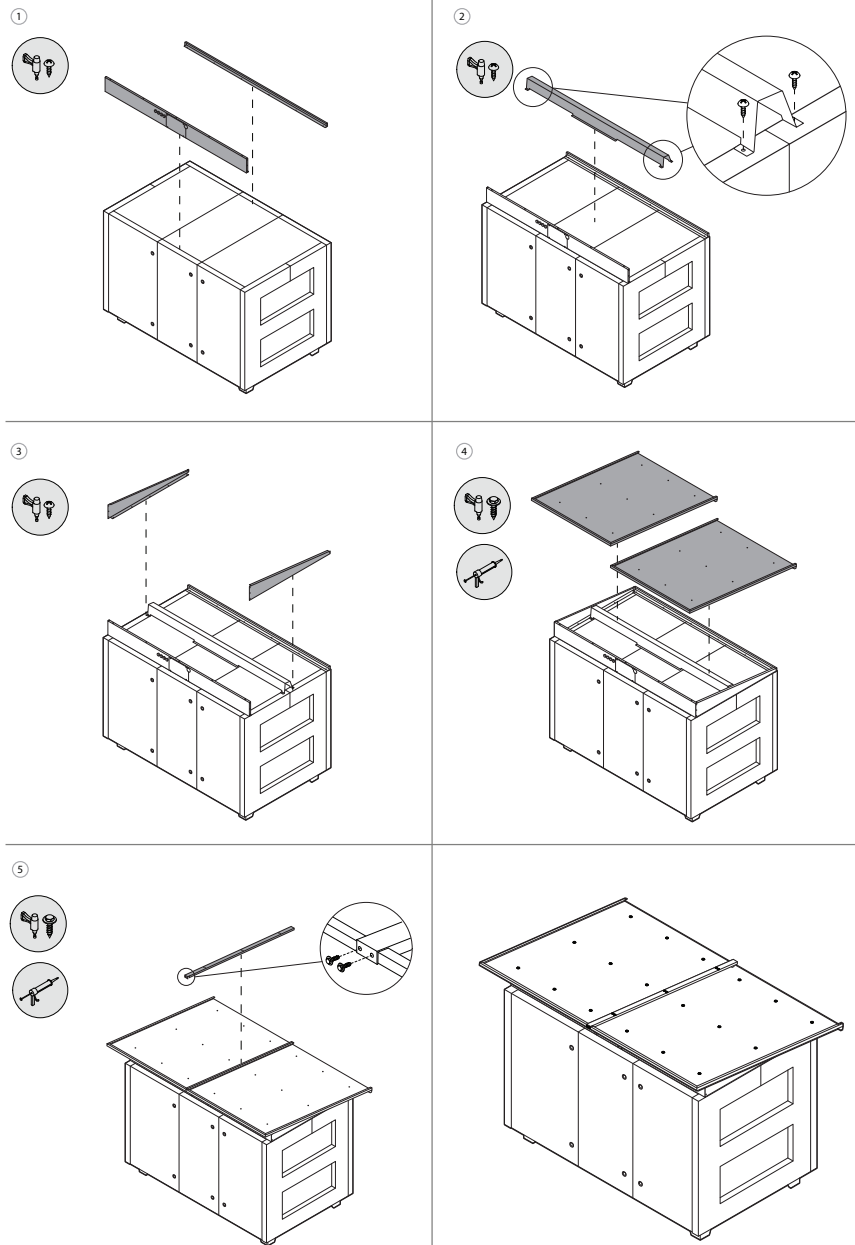
- Connections of outdoor units must be additionally sealed (the sealant is not included).
- If the outdoor unit will be switched off during the cold season, supply and extract air ducts (on the indoor side) must be fitted with additional air shut-off dampers. They should prevent warm indoor air from circulating inside the unit when it is stopped to avoid condensation, which may be detrimental to electronic components.

MOUNTING OF THE ROOFS

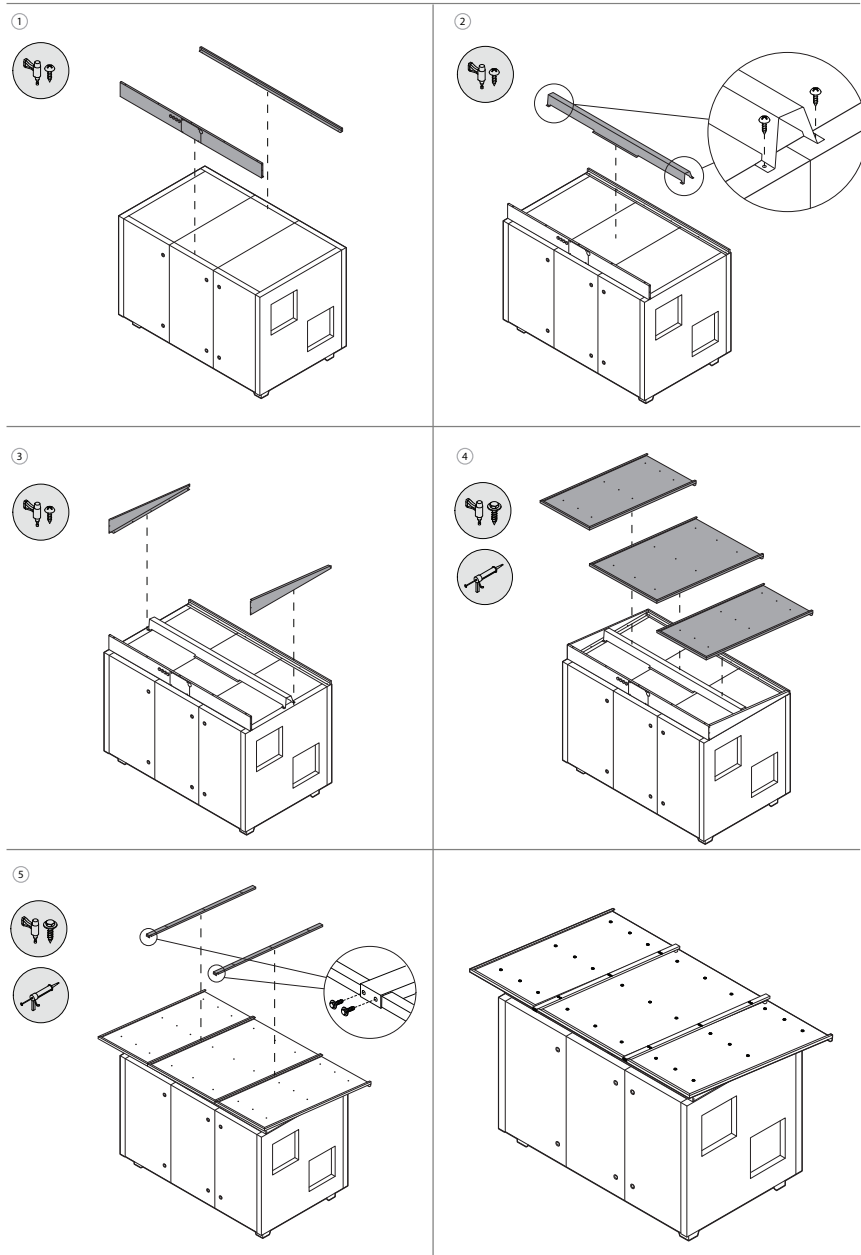
Verso R 1000 - R 1300 - R 1500 - R 1700 - R 2000 - CF 1000 - CF 1300 - CF 1700 - CF 2300 - RHP 1200 - RHP 1600



Verso R 2500 - R 5000

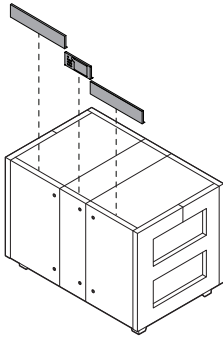


Verso R 3000 - R 4000

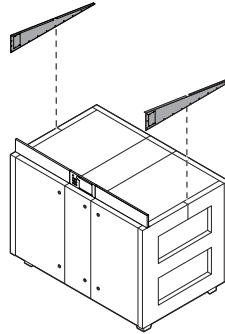


Verso R 7000

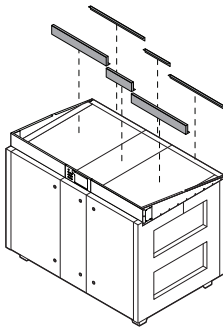
1



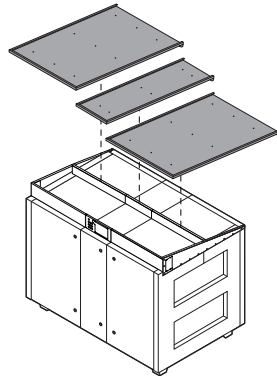
2



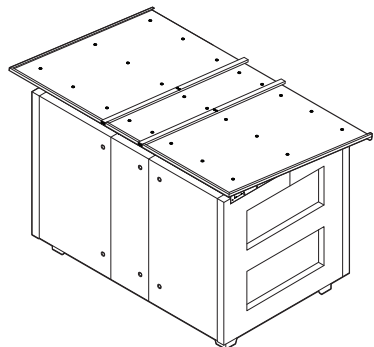
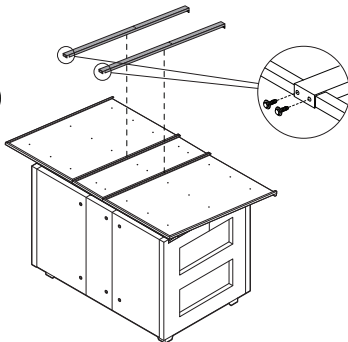
3



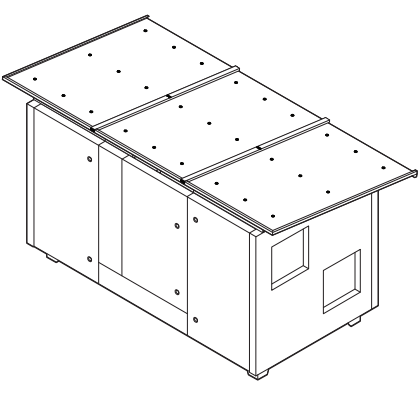
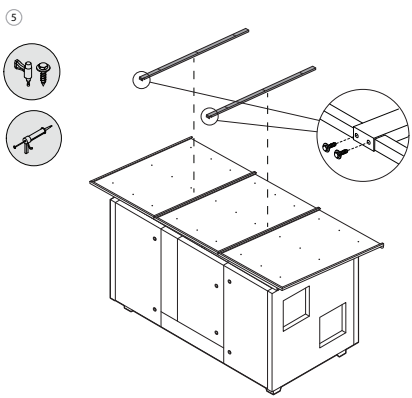
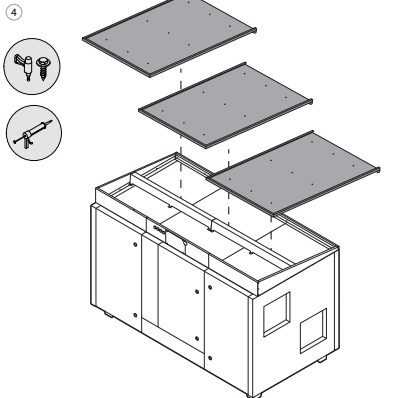
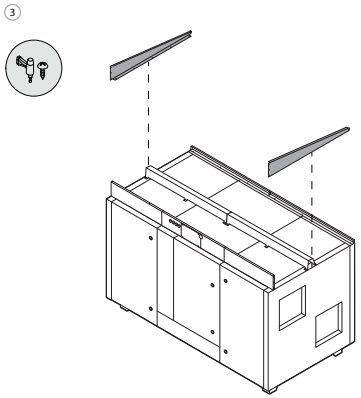
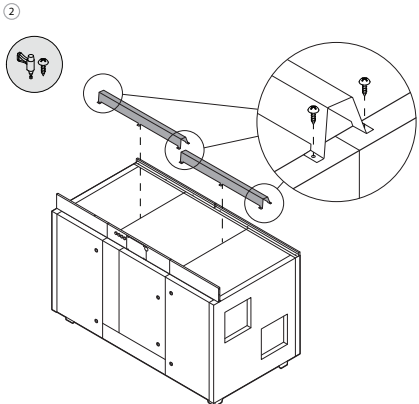
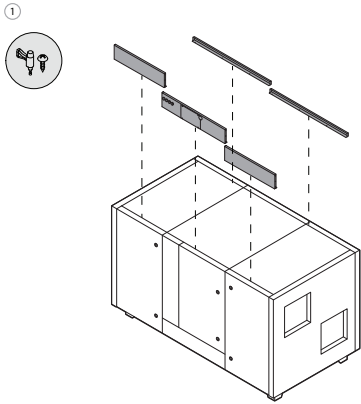
4



5

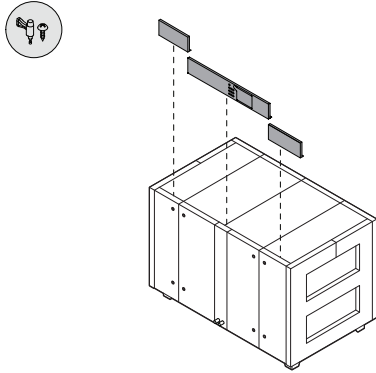


Verso CF 3500

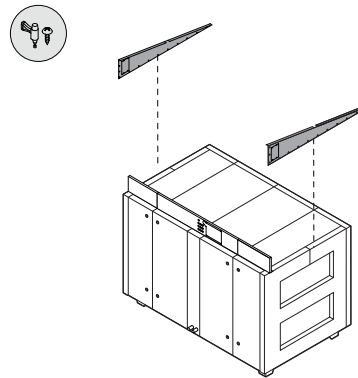


Verso CF 5000

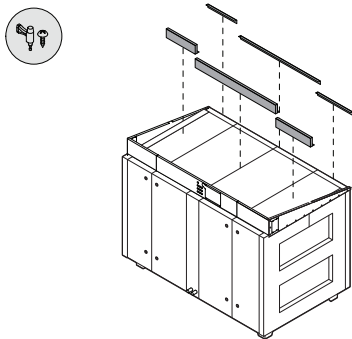
1



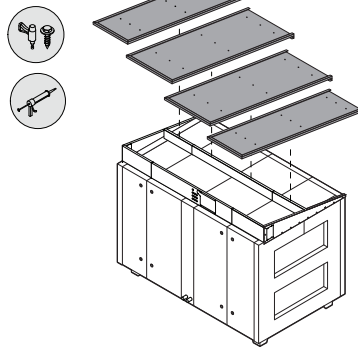
2



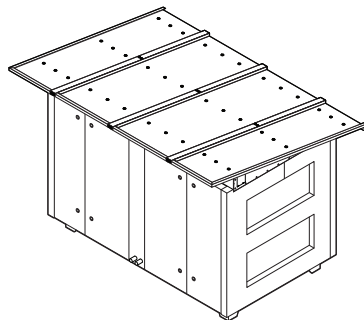
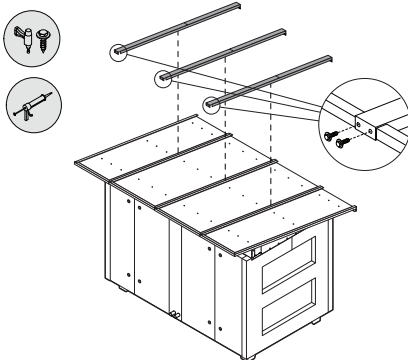
3



4



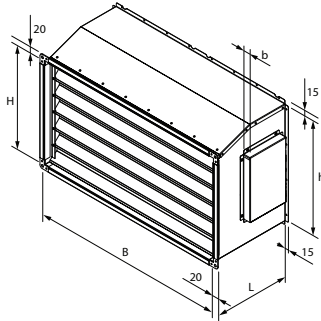
5



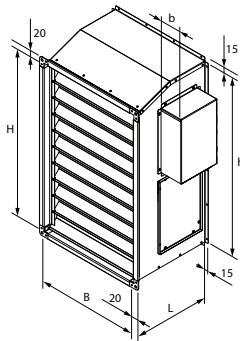
MOUNTING OF THE HOODS



When installing hoods, it is necessary to ensure that the exhaust air from the unit does not flow back into the air intake openings. To do this, move the air flows away from each other or direct them in different directions using additional duct segments or bends.

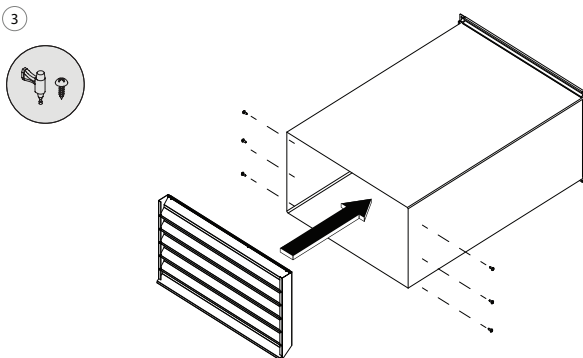
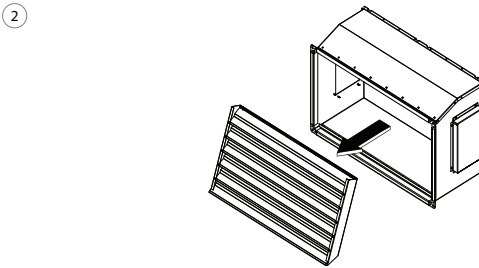
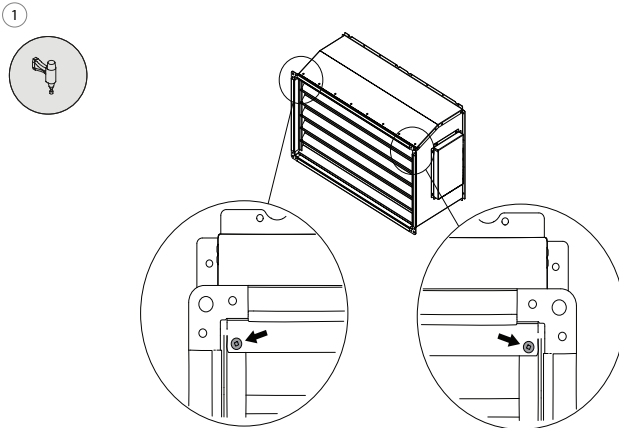


Unit	B	H	L	b	h
VERSO R 1000 U - R 1300 U - R 1500 U	750	350	480	30	400
VERSO R 1700 U - R 2000 U	750	400	320	30	450
VERSO R 2500 U	900	400	320	10	450
VERSO R 5000 H	1250	550	320	10	600
VERSO R 7000 H	1400	650	320	10	700
VERSO CF 1000 U - CF 1300 U - CF 1700 U	730	350	480	30	400
VERSO CF 5000 H	1250	550	320	30	600
RHP 1200 U - RHP 1600 U	600	350	320	10	400



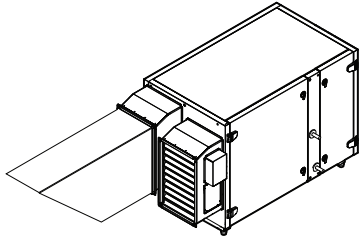
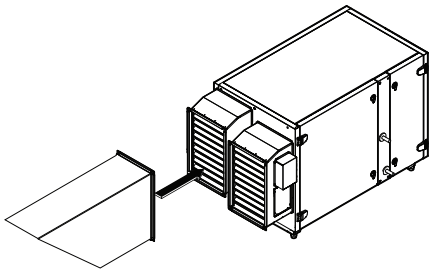
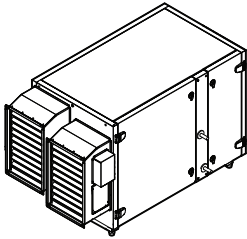
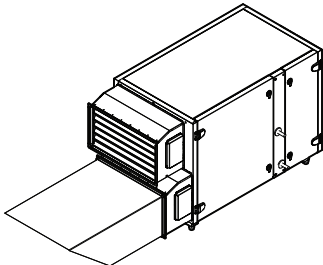
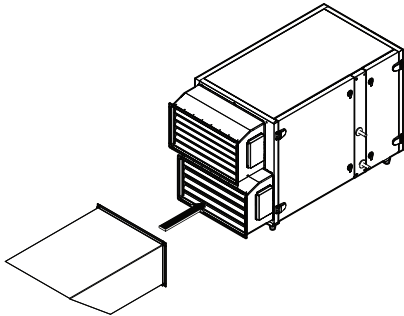
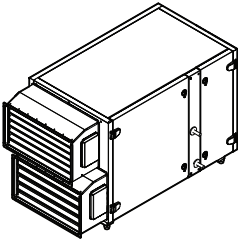
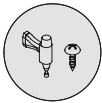
Unit	B	H	L	b	h
VERSO R 3000 U - R 4000 U	500	700	320	90	750
VERSO CF 2300 U	400	650	320	90	700
VERSO CF 3500 U	500	700	320	90	750

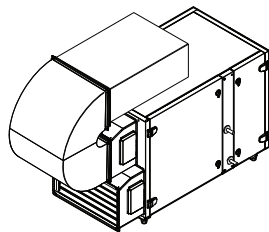
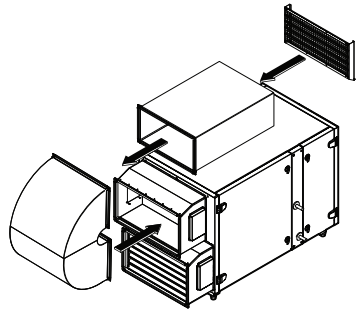
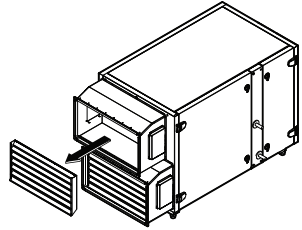
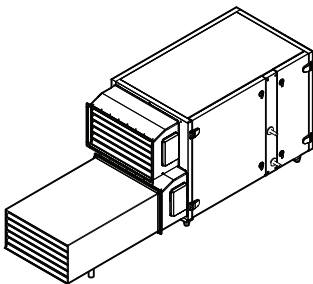
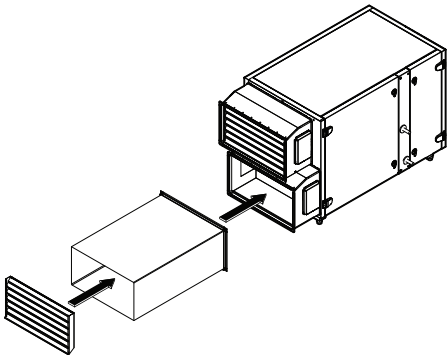
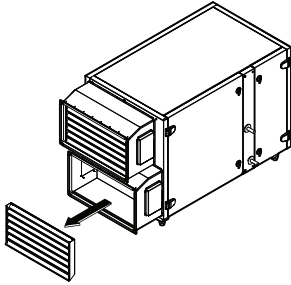
The air hoods are designed to easily connect rectangular ducts to their flanges. Also, if necessary, the hood baffles that protect against rain can be removed and installed to the end of an additional duct.

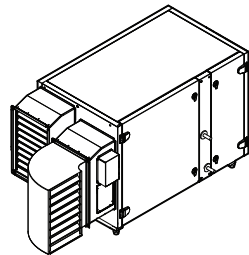
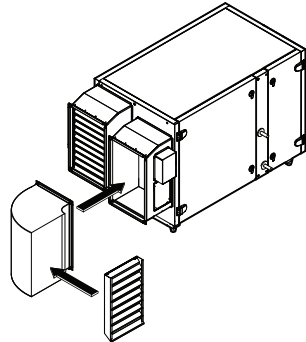
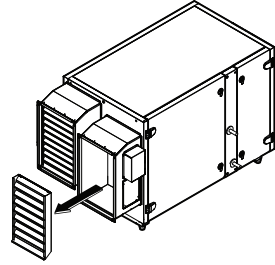
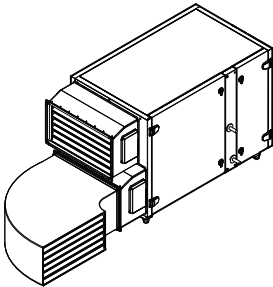
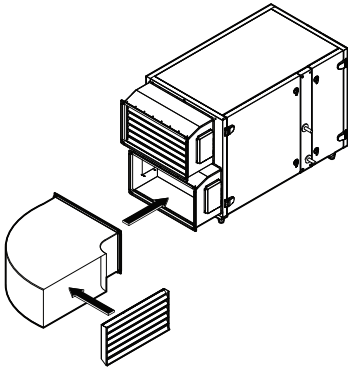
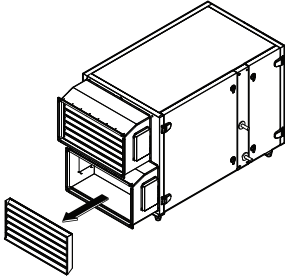


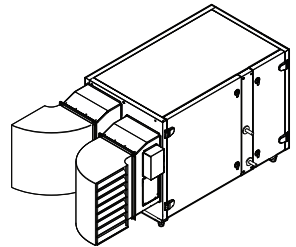
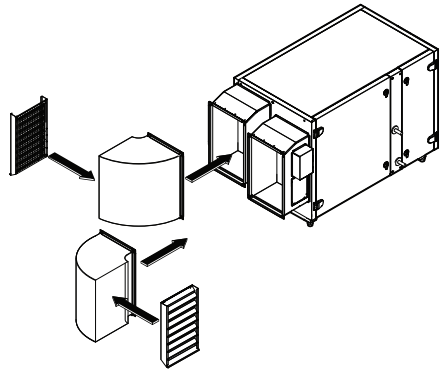
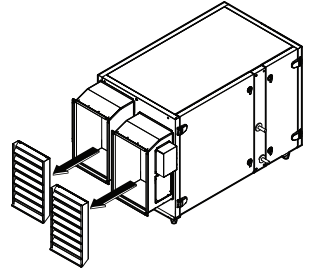
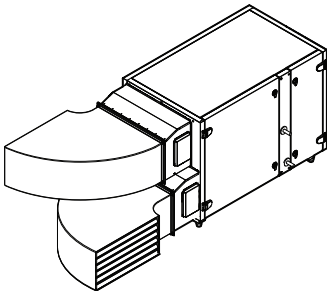
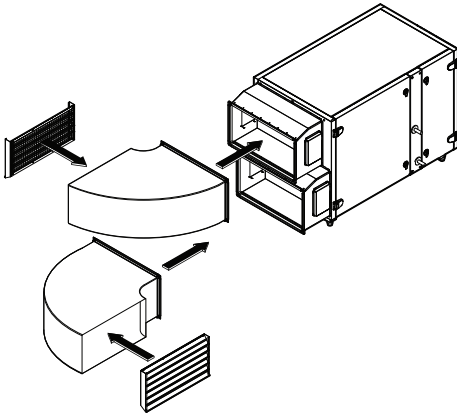
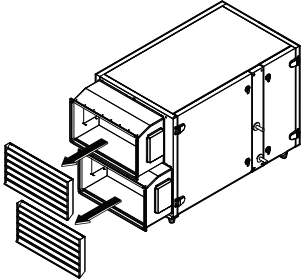
Below you will find examples of hood installation and air flow redirection. The illustrations show additional components (ducts, elbows, mounting materials) that are not included with the hoods.

EXAMPLES OF HOOD INSTALLATION









SERVICE AND SUPPORT

LITHUANIA

UAB KOMFOVENT

Phone: +370 5 200 8000
service@komfovent.com
www.komfovent.com

FINLAND

Komfovent Oy

Muuntotie 1 C1
FI-01 510 Vantaa, Finland
Phone: +358 20 730 6190
toimisto@komfovent.com
www.komfovent.com

GERMANY

Komfovent GmbH

Konrad-Zuse-Str. 2a,
42551 Velbert, Deutschland
Phone: +49 0 2051 6051180
info@komfovent.de
www.komfovent.de

LATVIA

SIA Komfovent

Bukaišu iela 1, LV-1004 Riga, Latvia
Phone: +371 24 66 4433
info.lv@komfovent.com
www.komfovent.com

SWEDEN

Komfovent AB

Ögärdesvägen 12A
433 30 Partille, Sverige
Phone: +46 31 487 752
info_se@komfovent.com
www.komfovent.se

UNITED KINGDOM

Komfovent Ltd

Unit C1 The Waterfront
Newburn Riverside, Newcastle upon
Tyne NE15 8NZ, UK
Phone: 0191 429 4503
info_uk@komfovent.com
www.komfovent.com

PARTNERS

AT	J. PICHLER Gesellschaft m. b. H.	www.pichlerluft.at
BE	Ventilair group ACB Airconditioning	www.ventilairgroup.com www.acbairco.be
CZ	REKUVENT s.r.o.	www.rekuvent.cz
CH	WESCO AG SUDCLIMATAIR SA CLIMAIR GmbH	www.wesco.ch www.sudclimatair.ch www.climair.ch
DK	Øland A/S	www.oeland.dk
EE	BVT Partners	www.bvtpartners.ee
FR	ATIB	www.atib.fr
HR	Microclima	www.microclima.hr
HU	AIRVENT Légtechnikai Zrt. Gevent Magyarorszáig Kft. Merkapt	www.airvent.hu www.gevent.hu www.merkapt.hu
IE	Lindab	www.lindab.ie
IR	Fantech Ventilation Ltd	www.fantech.ie
IS	Blikk & Tækniþjónustan ehf Hitataekni ehf	www.bogt.is www.hitataekni.is
IT	ICARIA	www.icaria.srl
NL	Ventilair group DECIPOL-Vortvent CLIMA DIRECT BV ForClima BV	www.ventilairgroup.com www.vortvent.nl www.climadirect.com www.forclima.nl
NO	Ventilution AS Ventistål AS Thermo Control AS	www.ventilution.no www.ventistal.no www.thermocontrol.no
PL	Ventia Sp. z o.o.	www.ventia.pl
SE	Nordisk Ventilator AB	www.nordiskventilator.se
SI	Agregat d.o.o	www.agregat.si
SK	TZB produkt, s.r.o.	www.tzbprodukt.sk
UA	TD VECON LLC	www.vecon.ua