

Domekt S 650 F C5

Maximal air flow, m ³ /h	650
Maximal air flow, l/s	181
Reference flow rate, m ³ /s	0,126
Reference pressure difference, Pa	50
SPI, W/(m ³ /h)	0,13
Electric power input of the fan drive at maximum flow rate, W	150
Electric power input of the fan drive at reference flow rate, W	56
Filters dimensions BxHxL, mm	371x235x46
Unit dimensions BxHxL, mm	475x297x873
Maintenance space, mm	300
Unit weight, kg	35



Acoustic data

A-weighted sound power level L_{WA} , dB(A)
at reference flow rate

Supply inlet	60
Supply outlet	66
Casing	43

A-weighted sound pressure level L_{PA} , dB(A)

10 m² normally isolated room, distance from casing – 3 m.

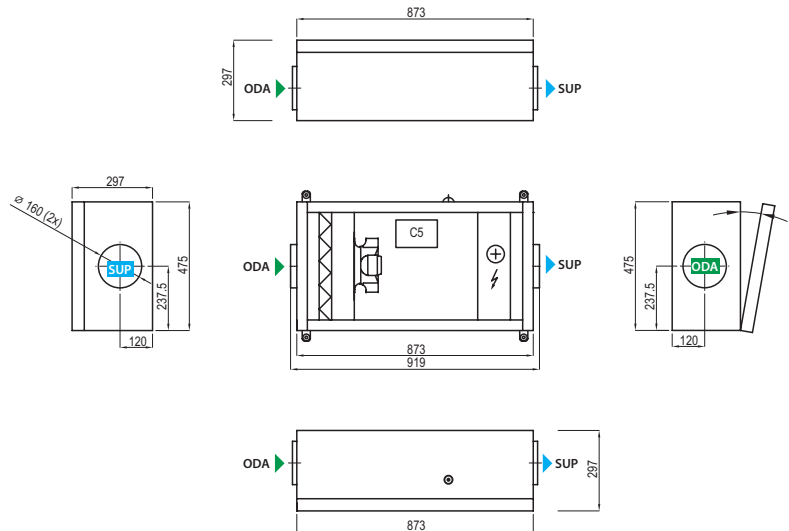
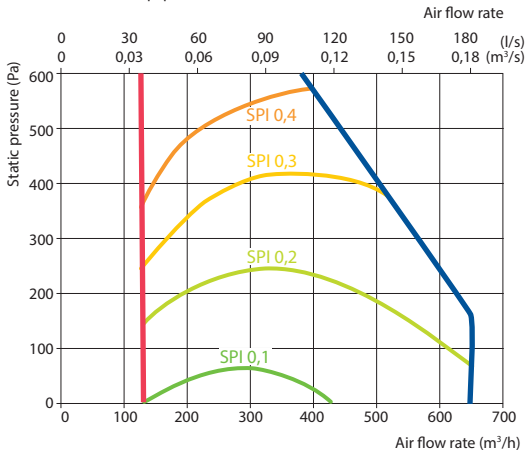
Surroundings	32
--------------	----

Technical data

Supply air handling unit	Supply voltage, V	Air heater capacity, kW	Maximal operating current, A	ΔT , °C
Domekt S 650 F-HE/3	1~230	3,0	14,9	19,3
Domekt S 650 F-HE/6	3~400	6,0	10,6	38,6

Performance

Unit with standard equipment



Accessories

Closing damper	AGUJ-M-160+TF24/CM24	
Silencer	ODA	AGS-160-50-600-M
	SUP	AGS-160-50-900-M
Water cooler	DCW-0,7-5	
2-way valve	VVP47.15-2,5+SSF161.05HF	
Outdoor grill	LD-160	
DX cooler	DCF-0,7-5	
Cooling unit	MOU-18HFN8+KA8140	

Mounting positions



ODA – outdoor intake SUP – supply air