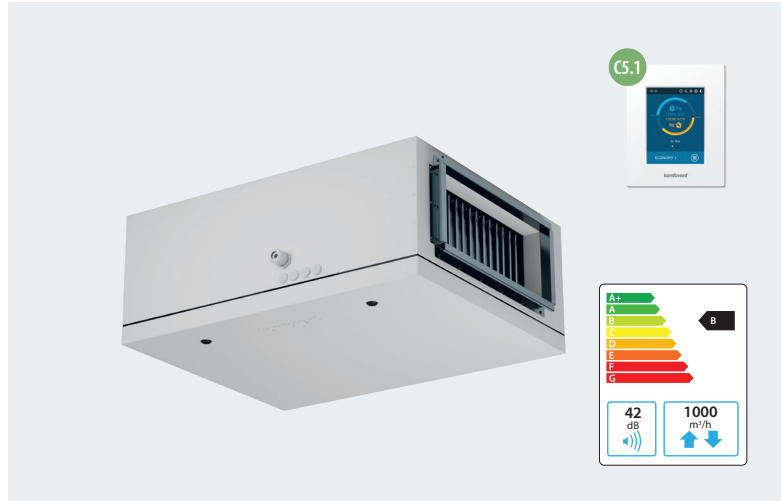


Domekt S 1000 F C5

Maximal air flow, m ³ /h	1000
Maximal air flow, l/s	278
Reference flow rate, m ³ /s	0,194
Reference pressure difference, Pa	50
SPI, W/(m ³ /h)	0,07
Electric power input of the fan drive at maximum flow rate, W	124
Electric power input of the fan drive at reference flow rate, W	47
Filters dimensions BxHxL, mm	558x287x46
Unit dimensions BxHxL, mm	700x350x893
Maintenance space, mm	400
Unit weight, kg	46



Acoustic data

A-weighted sound power level L_{WA} , dB(A) at reference flow rate

Supply inlet	58
Supply outlet	63
Casing	42

A-weighted sound pressure level L_{pA} , dB(A)

10 m² normally isolated room, distance from casing – 3 m.

Surroundings	30
--------------	----

Technical data

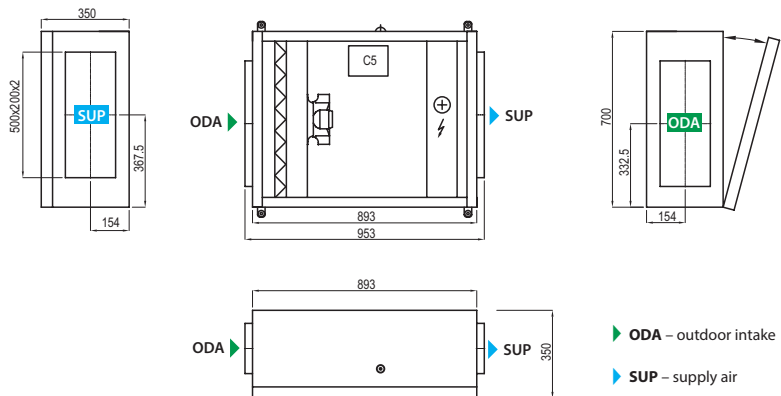
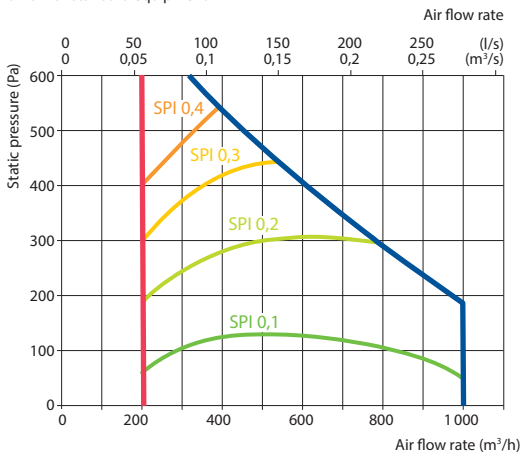
Supply air handling unit	Supply voltage, V	Air heater capacity, kW	Maximal operating current, A	ΔT , °C
Domekt S 1000 F-HE/9	3~400	9,0	15,0	37,6
Domekt S 1000 F-HE/15	3~400	15,0	23,7	62,7
Domekt S 1000 F-HW	1~230	–	2,25	–

Hot water air heater

Water temperature in/out, °C	80/60	70/50	60/40
Capacity, kW	8,4	7,5	5,8
Flow rate, dm ³ /h	370	329	254
Pressure drop, kPa	1,1	1	1,0
Temperature in/out, °C	-5/20	-5/17,3	-5/12,3
Maximal capacity, kW	9,1	7,5	5,8
Connection, "	½		

Performance

Unit with standard equipment

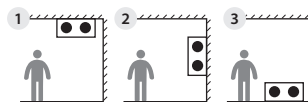


ODA – outdoor intake
SUP – supply air

Accessories

Closing damper	SRU-M-500x200+LF24/LM24
Silencer	ODA STS-IAHJBU-500-200-900-S
	SUP STS-IAHJBU-500-200-1200-S
PPU	PPU-HW-3R-15-1.6-W2
Water cooler	DCW-1,2-8
2-way valve	VVP47.15-2,5+SSF161.05HF
DX cooler	DCF-1,2-8
Cooling unit	MOU-24HFN8a+KA8140

Mounting positions



2 3 with water heater only