

# Verso S 3000 F C5

Maximum air flow, m <sup>3</sup> /h	3800
Maximum air flow, l/s	1056
Electric power input of the fan drive at maximum flow rate, W	680
Filters dimensions BxHxL, mm	450x480x96
Unit dimensions BxHxL, mm	1015x555x1160
Panel thickness, mm	50
Maintenance space, mm	600
Unit weight, kg	130



## Acoustic data

A-weighted sound power level  $L_{WA}$ , dB(A)  
at nominal flow rate

Supply inlet	68
Supply outlet	77
Casing	53

A-weighted sound pressure level  $L_{PA}$ , dB(A)

10 m<sup>2</sup> normally isolated room, distance from casing – 3 m.

Surroundings	41
--------------	----

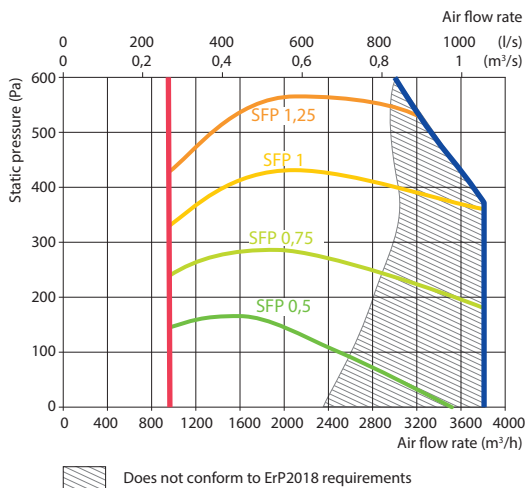
## Technical data

Supply air handling unit	Supply voltage, V	Air heater capacity, kW	Maximal operating current, A	$\Delta T$ , °C
Verso S 3000 F-HW	3~400	–	3,8	–

## Hot water air heater

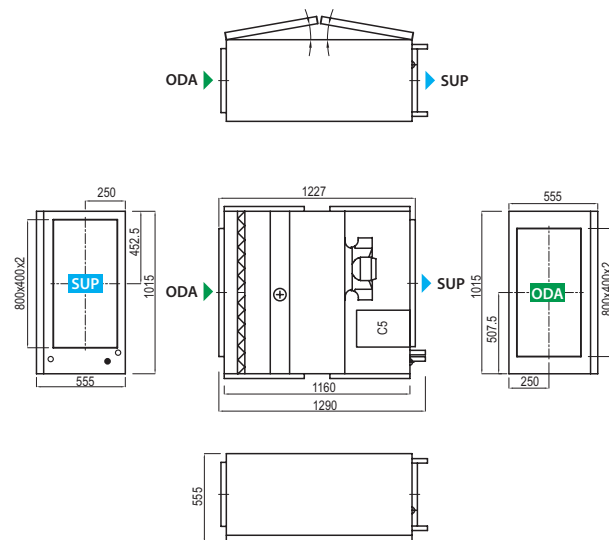
Water temperature in/out, °C	80/60	70/50	60/40
Capacity, kW	35,4	35,4	35,4
Flow rate, dm <sup>3</sup> /h	1557	1550	1509
Pressure drop, kPa	3,3	3,3	3,3
Temperature in/out, °C	-5 / 22,0	-5 / 22,0	-5 / 22,0
Maximal capacity, kW	54,4	46,1	37,7
Connection, "	1		

## Performance



## Accessories

Closing damper	SRU-M-800x400+LF24/LM24
Silencer	ODA STS-IIM1BY-800-400-700-S
	SUP STS-8P8B8B-800-400-900-S
PPU	PPU-HW-3R-25-6.3-W2
Water cooler	DCW-3,0-20
2-way valve	VVP45.25-6,3+SSB161.05HF
DX cooler	DCF-3,0-20-2
Cooling unit	2xMOU-36HFN8a+KA8140



## Mounting positions

